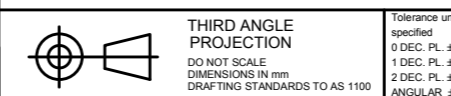
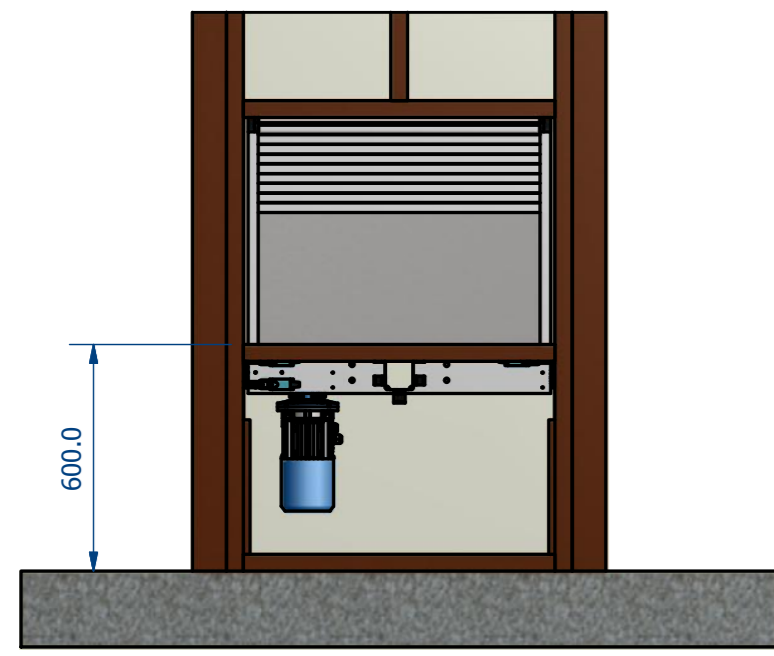


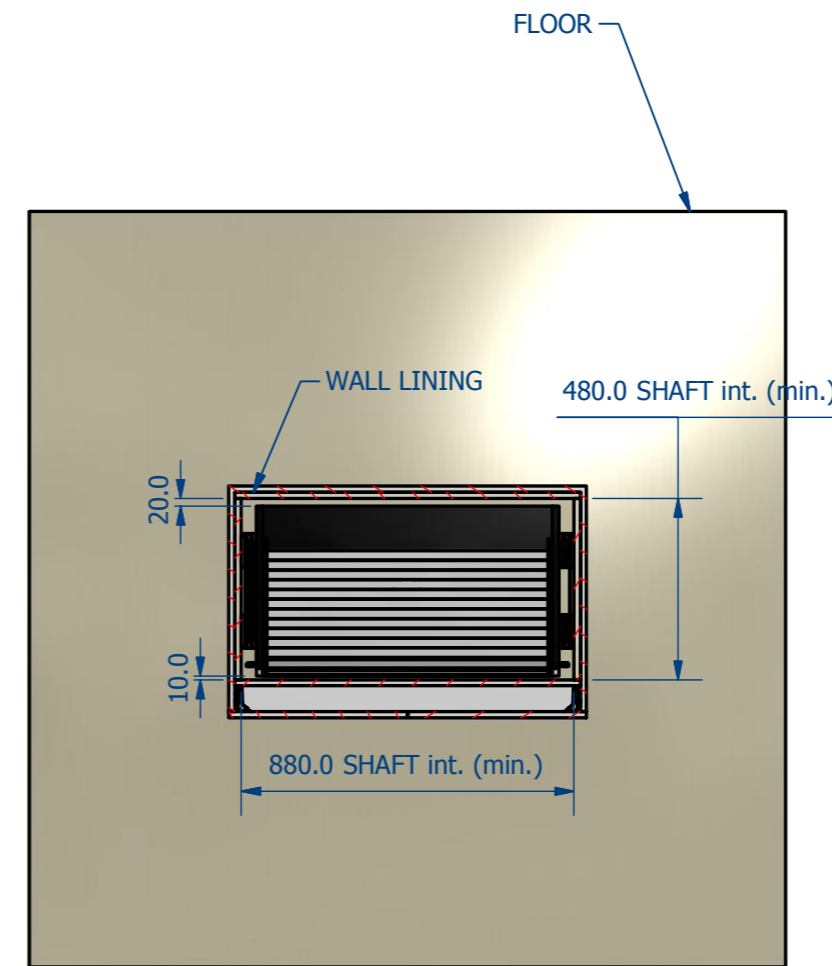
Parts List			
ITEM	QTY	PART NUMBER	DESCRIPTION
1	1	PJ110706_ASSY	
2	1	AD21.2	
3	1	DWR3000-UB60	Part Number
4	1	AVL DWR-UB60 Car Frame SS Sheeting	Part Number
5	2	AVL_Shutter Guide-09	Shutter Guide DWR3000-UB60
6	1	AVL Drive Platform ASSY - 60&40-01	
7	1	ML20-1500 Shutter DWR3000-SG-UB60	Shutter for DW-40
8	1	AVL_Shutter Guide	Part Number
9	1	AVL_Shutter Guide DW401	Part Number
10	1	AVL_Drag Chain Bracket-MS	Drag Chain Bracket_SMALL
11	1	AD15.8	

<b>Dumbwaiters Australia Pty Ltd</b> Unit 2, 200 Boundary Road, Braeside, Victoria, 3195, Australia Tel: 613 9590 9091 Fax: 613 8625 0017		<b>TITLE:</b> Undebench car ASSY <b>PROJECT:</b> Undebench Dumbwaiter Job No:	
THIS DRAWING, INCLUDING INFORMATION SHOWN THEREIN, IS CONFIDENTIAL AND IS THE EXCLUSIVE PROPERTY OF DUMBWAITERS AUSTRALIA. IT IS SUBJECT TO RETURN UPON DEMAND. IT IS LOANED TO A SUPPLIER FOR EXCLUSIVE USE BY THE SUPPLIER. REPRODUCTION, EXHIBITION, OR USE FOR ANY OTHER PURPOSE, OR BY ANY PERSON IS NOT AUTHORISED.		DESIGNER: Fabrizio Battagliotti DATE: 3/10/2014	CUSTOMER: SCALE:
DRAWN: Fabrizio Battagliotti DATE:		DRAWING No: <b>AVL-000-GEN-UB</b> SHEET: 1 / 3 REV.	MATERIAL: PART No: AVL DWR3000-SG-UB60 Car ASSY SHEET SIZE: A2
CHECKED: DATE:		MFG APPROVED: DATE:	

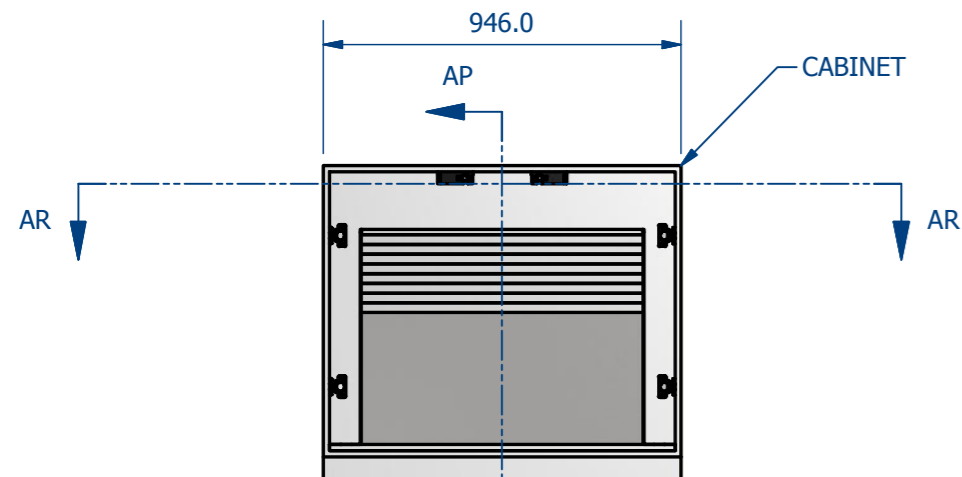
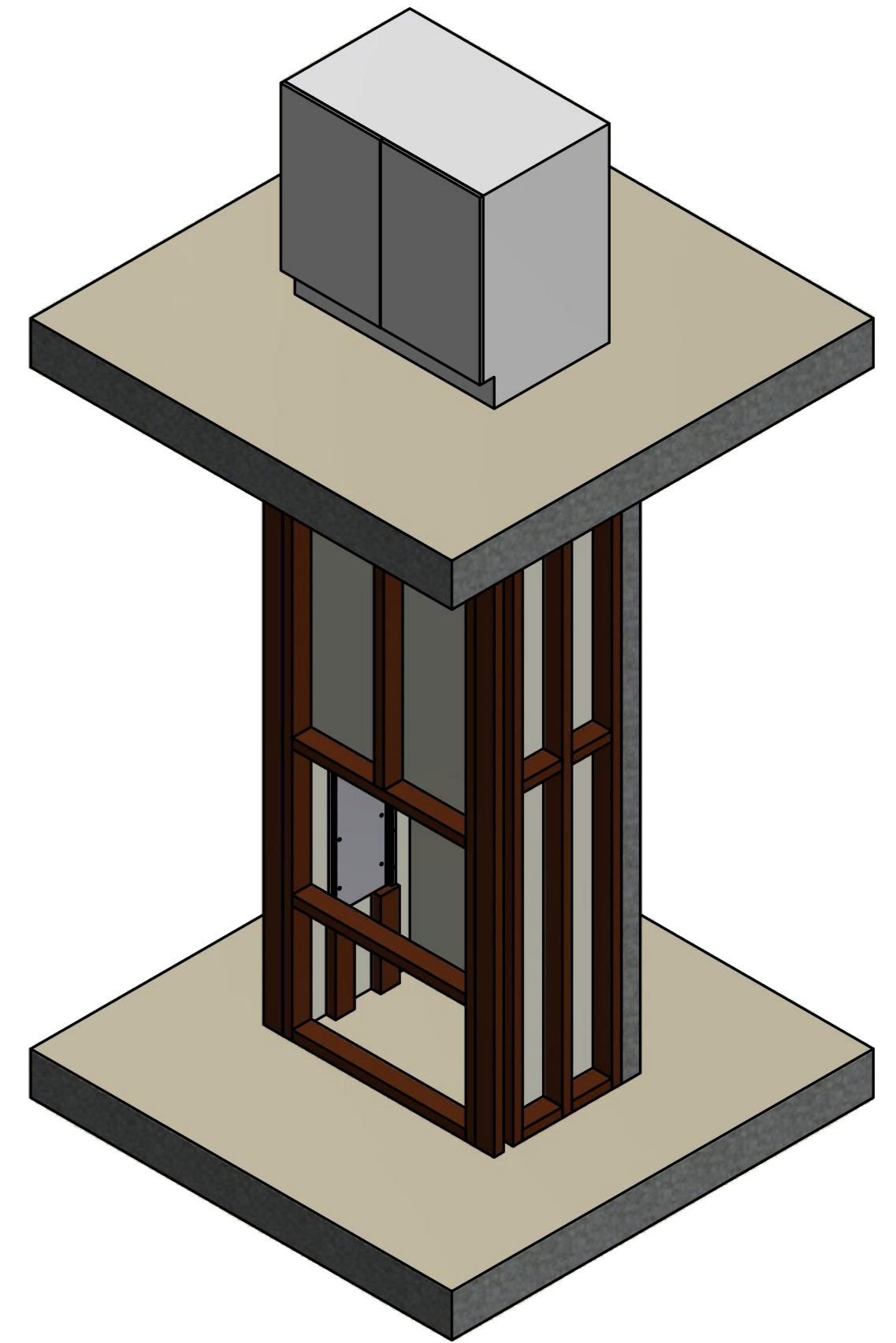




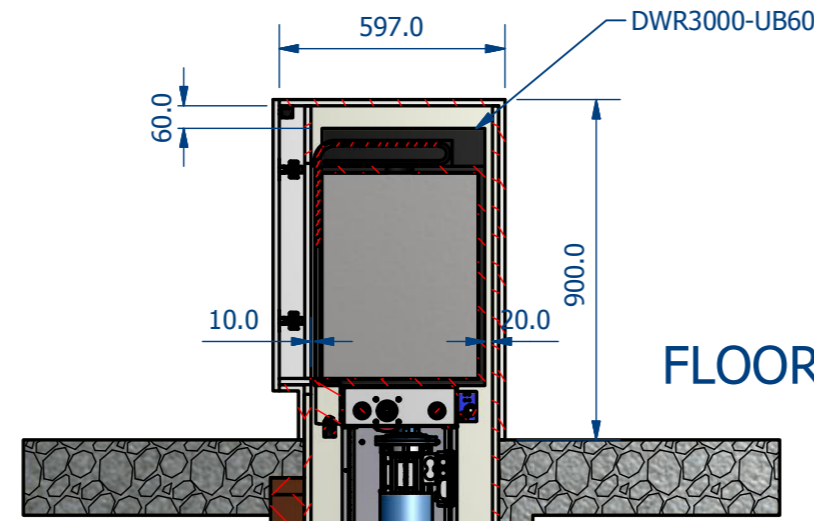
CAR SHOWN AT LOWER FLOOR POSITION



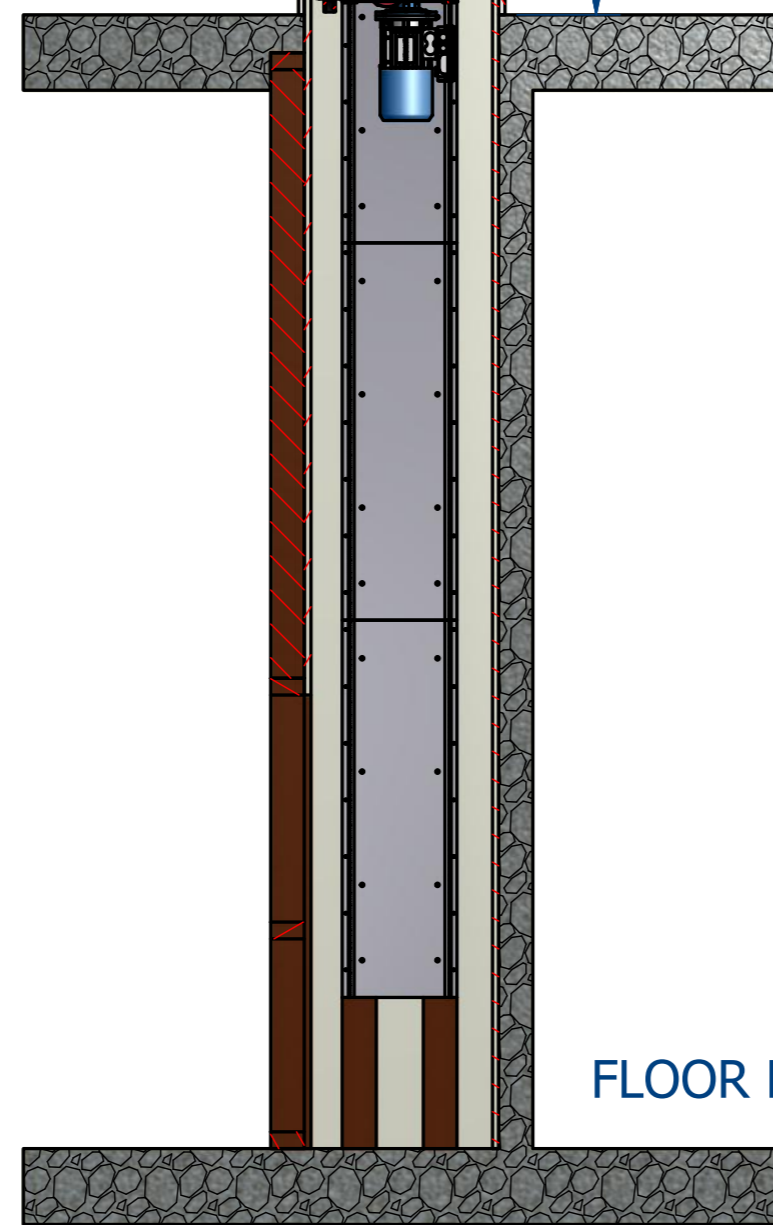
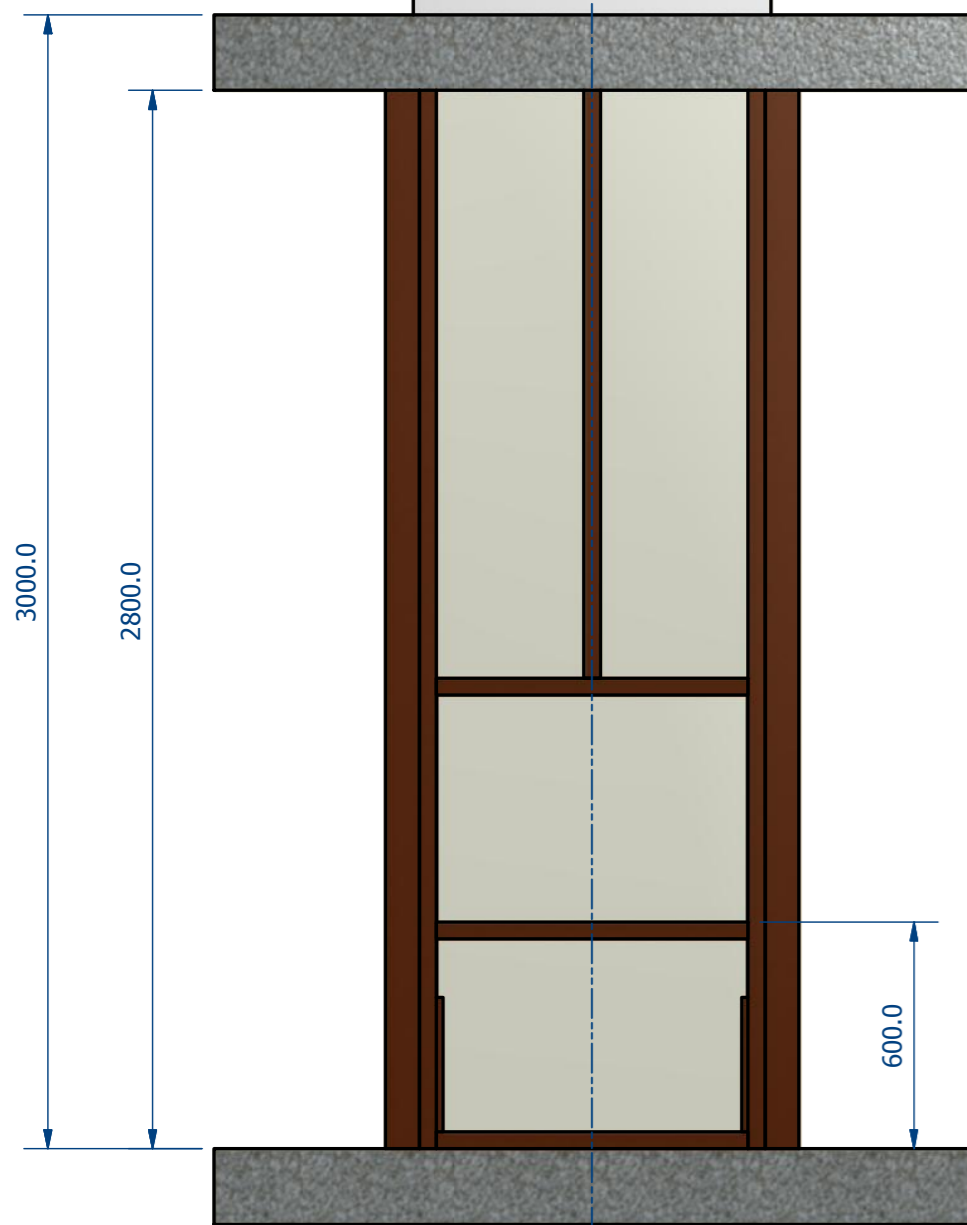
SECTION AR-AR  
SCALE 1 / 20



CABINET



FLOOR LEVEL 2

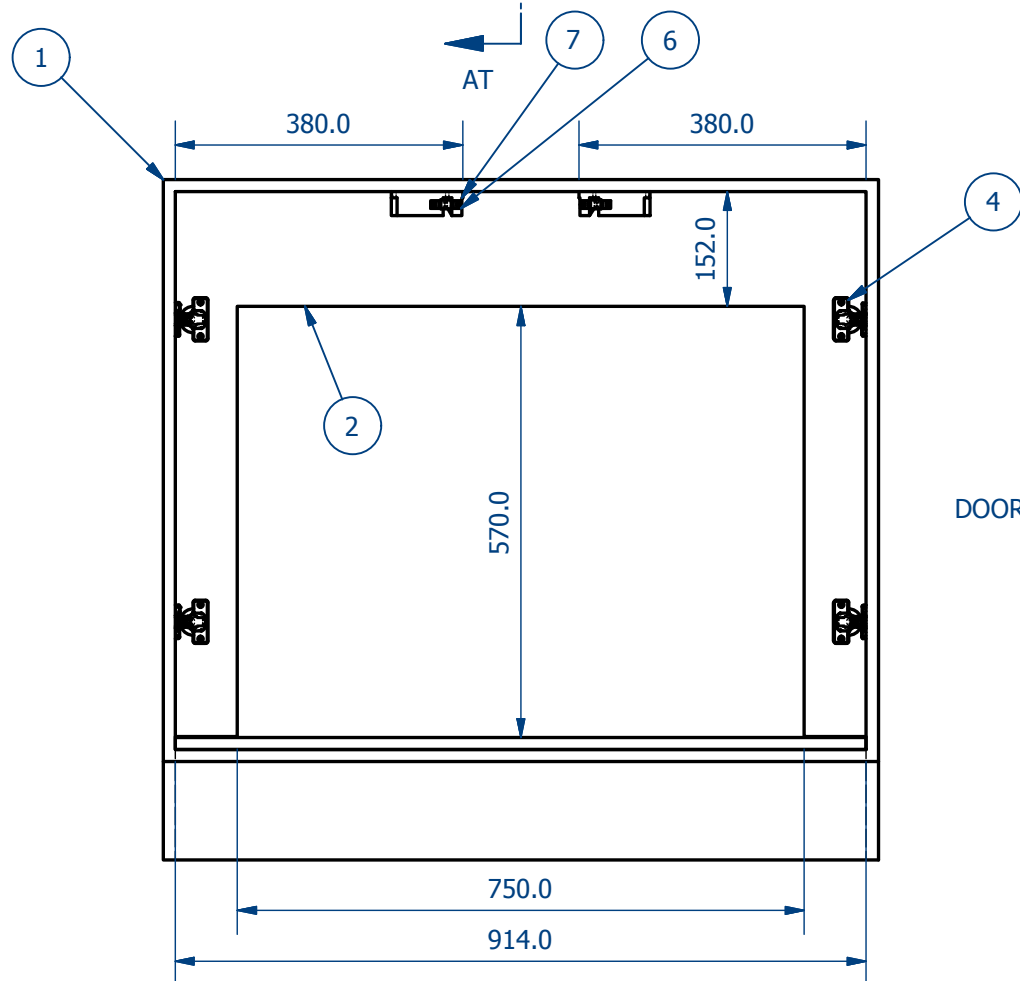
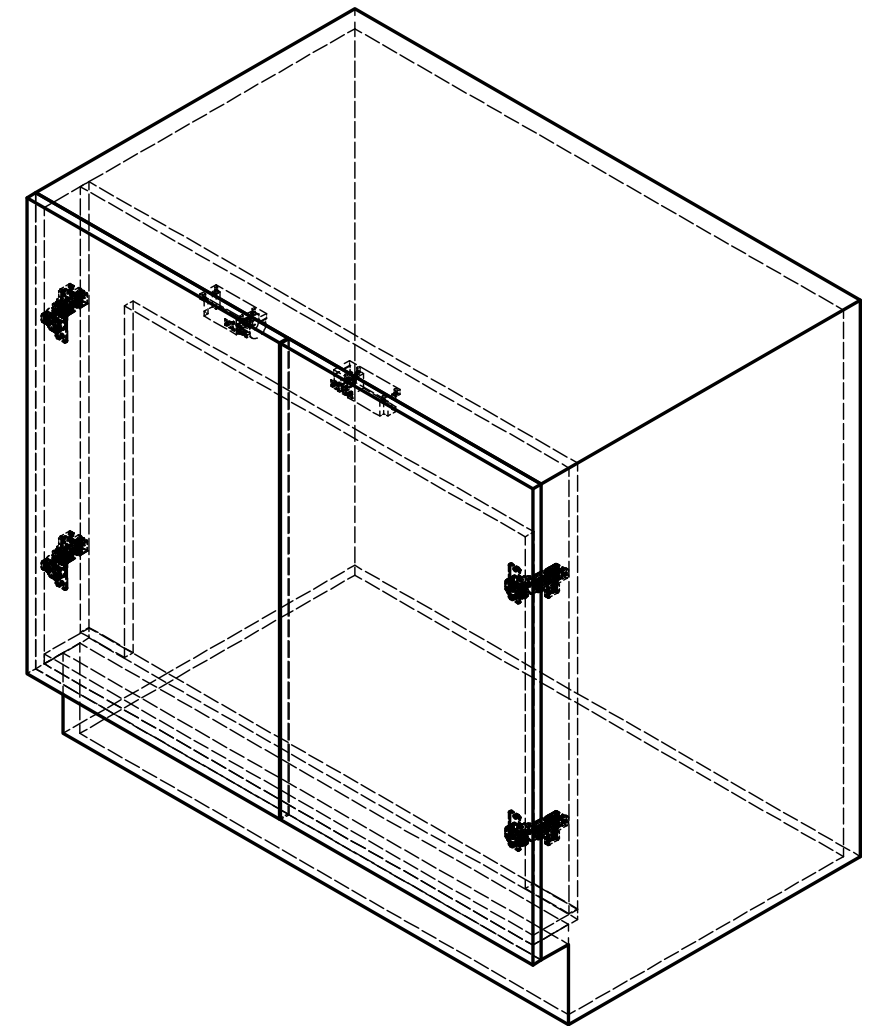
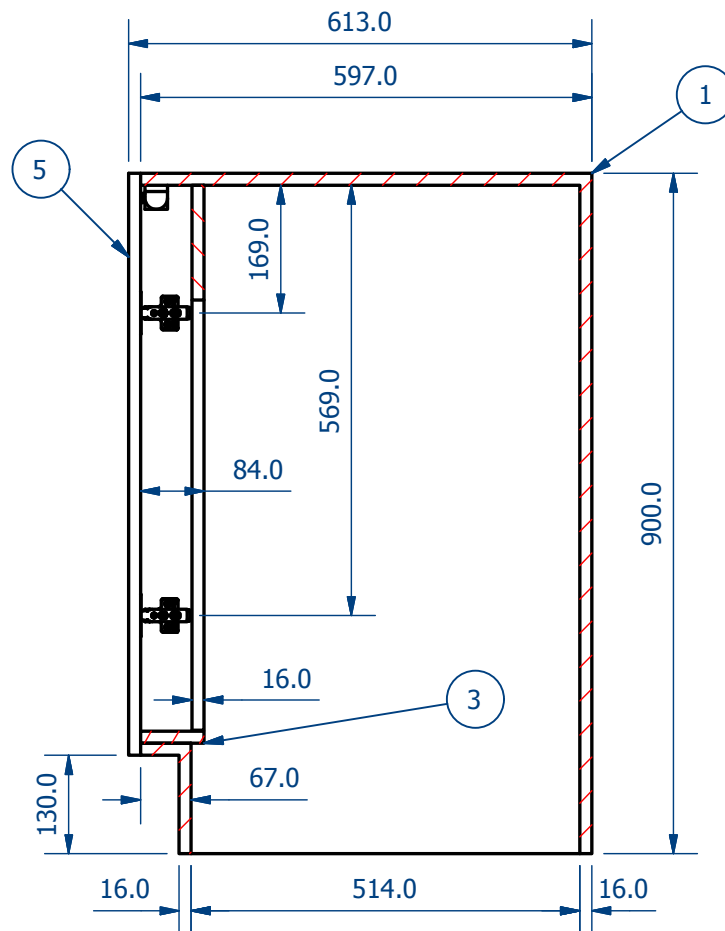
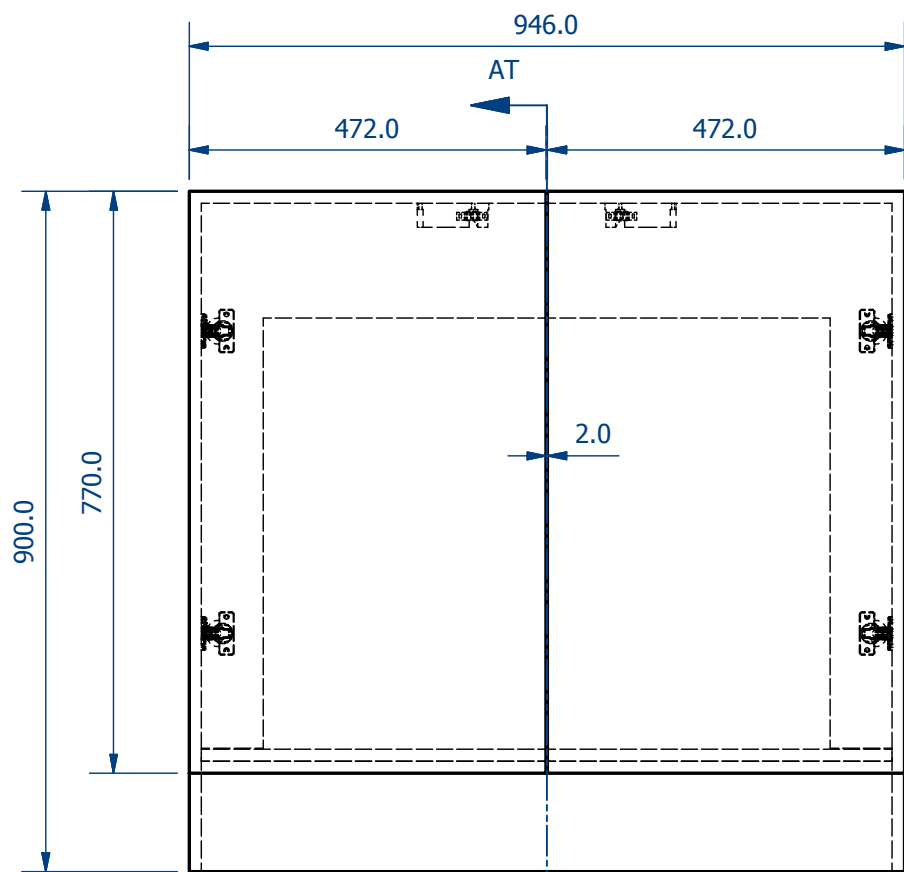


FLOOR LEVEL 1

SECTION AP-AP  
SCALE 1 / 20

1. SHAFT TOLERANCES ARE  $\pm 5$  mm PLUMB AND SQUARE
2. BUILDER TO SUPPLY AND INSTALL AS NEW CONDITION FORMRITE. FIXING SCREWS EVERY 250 mm ON STUDS.
3. FORMRITE TO RUN CONTINUOUSLY FROM TOP TO BOTTOM.
4. CEILING OF SHAFT TO BE LINED.
5. BUILDER TO SHEET EXTERNAL SURFACES AND FIT REMOVABLE DOOR JAMS AND SUPPLY DOORS TO SUIT AESTHETICS.

<p><b>Dumbwaiters Australia Pty Ltd</b> Unit 2, 200 Boundary Road, Braeside, Victoria, 3195, Australia Tel. 613 9590 9091 Fax: 613 8625 0017</p>		<p>TITLE: <b>DWR-3000-UB60 Installation</b></p>	
<p>DESIGNED BY: <b>Fabrizio Battagliotti</b></p>		<p>DATE: 10/06/2015</p>	
<p>DRAWN: <b>FB</b></p>		<p>DATE:</p>	
<p>CHECKED:</p>		<p>DATE:</p>	
<p>MFG APPROVED:</p>		<p>DATE:</p>	
<p>THIS DRAWING, INCLUDING INFORMATION SHOWN THEREIN, IS CONFIDENTIAL AND IS THE EXCLUSIVE PROPERTY OF DUMBWAITERS AUSTRALIA. IT IS SUBJECT TO RETURN UPON DEMAND. IT IS LOANED TO A SUPPLIER FOR EXCLUSIVE USE BY THE SUPPLIER. REPRODUCTION, EXHIBITION, OR USE FOR ANY OTHER PURPOSE, OR BY ANY PERSON IS NOT AUTHORISED.</p>		<p>CUSTOMER <b>Dumbwaiters</b></p>	
<p>THIRD ANGLE PROJECTION DO NOT SCALE DIMENSIONS IN mm DRAFTING STANDARDS TO AS 1100</p>		<p>Job No:</p>	
<p>SCALE</p>		<p>SHEET 2 / 3</p>	
<p>DRAWING No <b>AVL-000-GEN-UB</b></p>		<p>REV.</p>	
<p>Material:</p>		<p>PART No 0018 Layout</p>	
<p>SHEET SIZE <b>A2</b></p>		<p>SHEET SIZE <b>A2</b></p>	



SECTION AT-AT  
SCALE 1:10

DOORS HIDDEN

Parts List		
ITEM	QTY	PART NUMBER
1	1	0019 Cabinet
2	1	0018 Cabinet Trim
3	1	0018 Cabinet Bottom Jam
4	4	BLUM 75T1750 INSERT
5	2	0018 Cabinet Door
6	2	3513DM Door Switch Tongue
7	2	3513DM Door Switch

**Dumbwaiters Australia Pty Ltd**  
Unit 2, 200 Boundary Road, Braeside, Victoria, 3195, Australia  
Tel. 613 9590 9091 Fax: 613 8625 0017

TITLE: **Cabinet**  
PROJECT: **Underbench Dumbwaiter** Job No:

THIS DRAWING, INCLUDING INFORMATION SHOWN THEREIN, IS CONFIDENTIAL AND IS THE EXCLUSIVE PROPERTY OF DUMBWAITERS AUSTRALIA. IT IS SUBJECT TO RETURN UPON DEMAND. IT IS LOANED TO A SUPPLIER FOR EXCLUSIVE USE BY THE SUPPLIER. REPRODUCTION, EXHIBITION, OR USE FOR ANY OTHER PURPOSE, OR BY ANY PERSON IS NOT AUTHORIZED.

DESIGNED: Fabrizio Battagliotti DATE: 10/06/2015  
DRAWN: Fabrizio Battagliotti DATE:  
CHECKED: DATE:  
MFG APPROVED: DATE:

THIRD ANGLE PROJECTION  
DO NOT SCALE  
DIMENSIONS IN mm  
DRAFTING STANDARDS TO AS 1100

Tolerance unless specified  
0 DEC. PL. ± 0.5  
1 DEC. PL. ± 0.1  
2 DEC. PL. ± 0.05  
ANGULAR ± 0.5

CUSTOMER: **Dumbwaiters** SCALE:  
DRAWING No: **AVL-000-GEN-UB** SHEET: 3 / 3 REV.:  
Material: PART No: 0018 Cabinet UB60 SHEET SIZE: A3