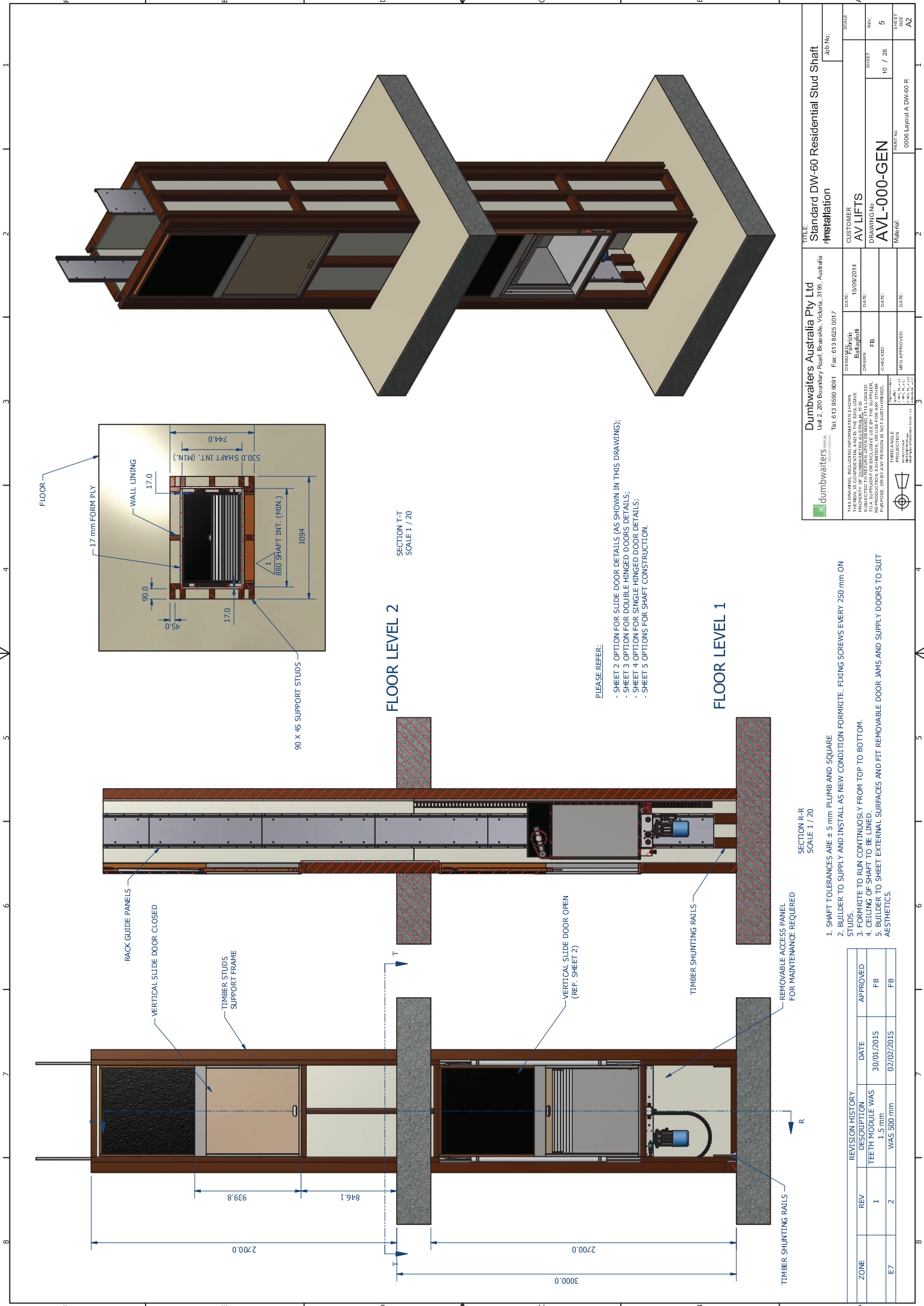


dumbwaiters Unit 2, 200 Boundary Road, Braeside, Victoria, 3195, Australia Tel: 613 8960 9091 Fax: 613 8925 0017		Dumbwaiters Australia Pty Ltd Unit 2, 200 Boundary Road, Braeside, Victoria, 3195, Australia		TITLE: 60 Kg Residential Car PROJECT:	
DESIGNED BY: Paul Job	DATE: 3/10/2014	CUSTOMER	SCALE		
DRAWN BY: Paul Job	DATE: 3/10/2014	DRAWING No: AVL-000-GEN	SHEET	REV.	
CHECKED BY: Paul Job	DATE: 3/10/2014	PART No: AVL-DW-60 Car ASSY_Rev001.dwg	8	26	
APPROVED BY: Paul Job	DATE: 3/10/2014	Material:	SHEET		
PROJECT NO: AVL-DW-60	MFG APPROVED: Paul Job		SHEET		
PRODUCTION <small>Manufactured in Australia</small>			2		
			A2		



dumbwaiters
Unit 2, 200 Boundary Road, Braeside, Victoria, 3195, Australia
Tel: 613 9560 0091 Fax: 613 9525 0017

Dumbwaiters Australia Pty Ltd
15006/2014

AV LIFTS

AVL-000-GEN

Job No: 0006-LAYOUT A DW-60 R

Customer: Standard DW-60 Residential Stud Shaft
Installation

Drawn: FB
Checked: FB
MFG APPROVED: [Signature]

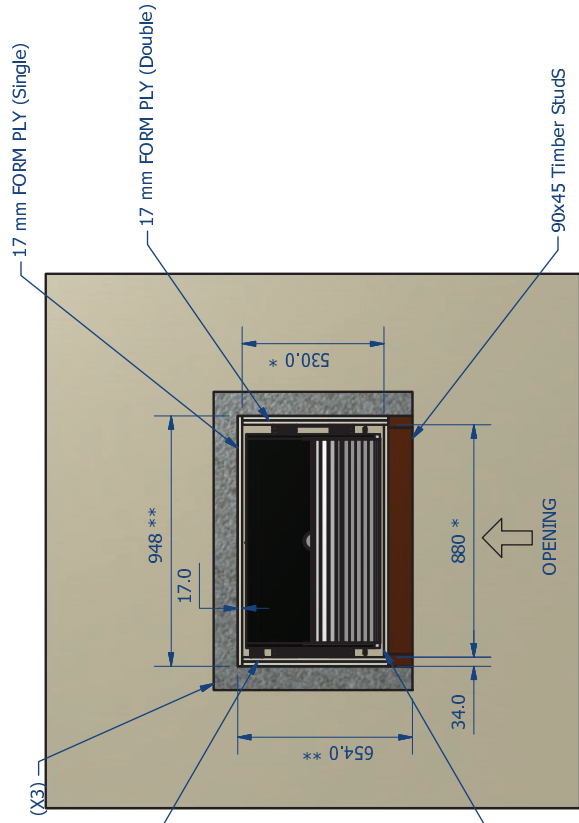
DATE: 15/06/2014
DATE: 10 / 26
DATE: [Blank]
DATE: [Blank]

Scale: 1 / 20
Sheet: 5 of 5
Rev: 5

Project No: 0006-LAYOUT A DW-60 R
Sheet No: 5 of 5
Rev: 5

Material: 0006-LAYOUT A DW-60 R

Path: D:\613\DW-60 Residential Stud Shaft\0006 General Layout\0006 Layout A DW-60 R.dwg

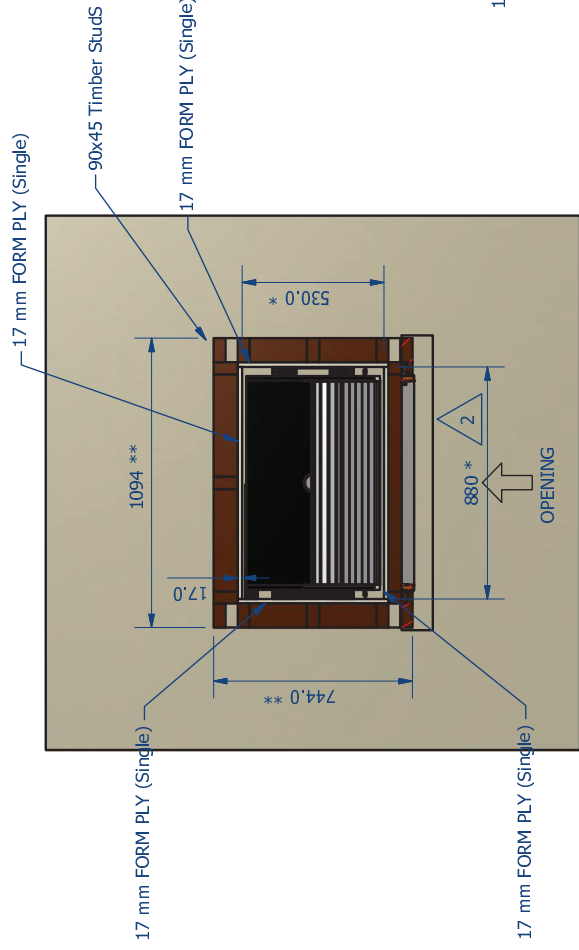


BLOCK-WORK DW60 (60kg) CAR INSTALLATION

NOTE:

(*) MIN. SHAFT SIZE REQUIREMENT

(**) MIN. FLOOR OPENING REQUIREMENT

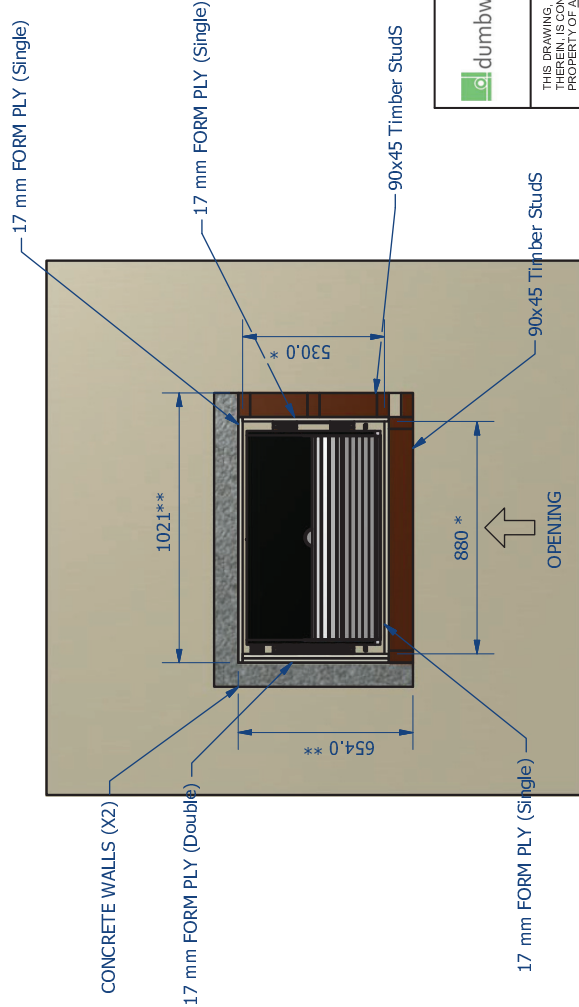


STUD-WORK DW60 (60 Kg) CAR INSTALLATION

NOTE:

(*) MIN. SHAFT SIZE REQUIREMENT

(**) MIN. FLOOR OPENING REQUIREMENT



STUD+BLOCK WORK DW60 (60 Kg) CAR INSTALLATION

NOTE:

(*) MIN. SHAFT SIZE REQUIREMENT

(**) MIN. FLOOR OPENING REQUIREMENT

ZONE	REV	DESCRIPTION	DATE	APPROVED
E7	1	TEETH MODULE WAS 1.5 mm	30/01/2015	FB
	2	WAS 500 mm	02/02/2015	FB

		AV Lifts Australia Pty Ltd Unit 2, 200 Boundary Road, Braeside, Victoria, 3195, Australia Tel: 613 9590 9091 Fax: 613 8625 0017		TITLE: PROJECT:	
THIS DRAWING, INCLUDING INFORMATION SHOWN THEREIN, IS CONFIDENTIAL AND IS THE EXCLUSIVE PROPERTY OF AV LIFTS AUSTRALIA. IT IS SUBJECT TO RETURN UPON DEMAND. IT IS LOANED TO YOU FOR YOUR INFORMATION ONLY. REPRODUCTION, EXHIBITION OR USE FOR ANY OTHER PURPOSE OR BY ANY PERSON IS NOT AUTHORISED.		DESIGNER: Battaglini	DATE: 15/09/2014	CUSTOMER: AV LIFTS	
THIRD ANGLE PROJECTION 		DRAWN: FB	DATE: 	SHEET 15 / 26	SCALE
MFG APPROVED: 		CHECKED: 	DATE: 	DRAWING No AVL-000-GEN	REV: 5
Job No:		PART No:		Material:	SHEET SIZE A3